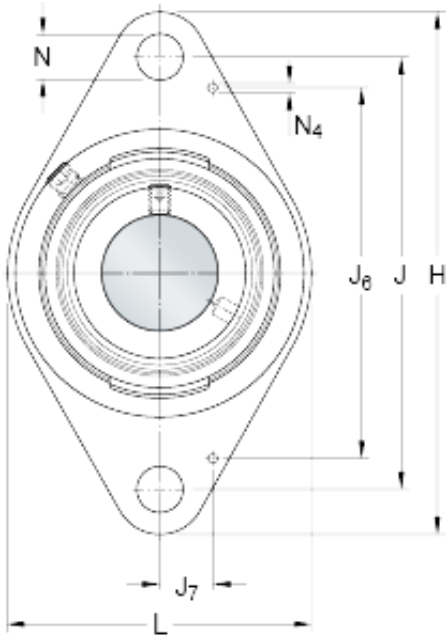




# NTN Bearing Rolamentos do Brasil Ltda.



FYTB 1.3/8 WDW Bearing 2D drawings and 3D CAD models

## skf FYTB 1.3/8 WDW Ball bearing oval flanged units

Bearing No. FYTB 1.3/8 WDW

Housing material	Cast iron
d	34.925 mm
D <sub>a</sub>	88.9 mm
D <sub>b1</sub>	88 mm
D <sub>b2</sub>	96 mm
A	34.5 mm
A <sub>1</sub>	13 mm
A <sub>3</sub>	3.2 mm
A <sub>5</sub>	22 mm
B <sub>1</sub>	51.1 mm
B <sub>4</sub>	6.75 mm
J	130 mm
H	156 mm
L	96 mm
N	14 mm
s <sub>1</sub>	32.3 mm
T	53.3 mm
R <sub>G</sub>	1/4-28 UNF
R <sub>1</sub>	22 mm
R	45 °
J <sub>6</sub>	106 mm
J <sub>7</sub>	15 mm
N <sub>4</sub>	2 mm
Basic dynamic load rating C	25.5 kN
Basic static load rating C <sub>0</sub>	15.3 kN



## NTN Bearing Rolamentos do Brasil Ltda.

Fatigue load limit $P_u$	0.655 kN
Limiting speed	1100 r/min
Mass bearing unit	1.25 kg
Thread grub screw $G_2$	3/8-24 UNF
Hexagonal key size for grub screw N	4.763 mm
Recommended tightening torque for grub screw	16.5 N · m
Recommended diameter for attachment bolts, mm G	12 mm
Recommended diameter for attachment bolts, inch G	0.5 in
Housing	FYTB 507 M/VZ033
Bearing	YELAG 207-106
End cover	ECY 207