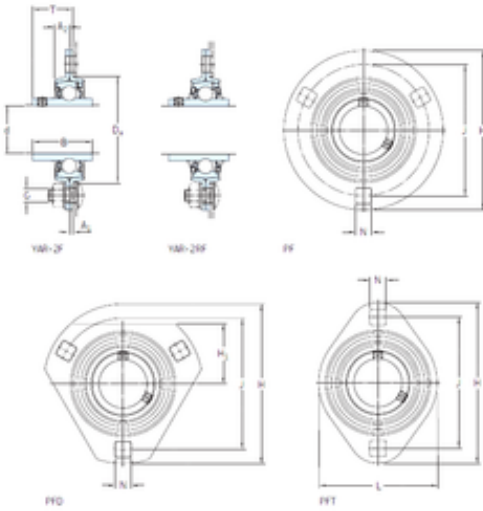




NTN Bearing Rolamentos do Brasil Ltda.



PFT 25 FM Bearing 2D drawings and 3D CAD models

skf PFT 25 FM Ball bearing oval flanged units

Bearing No. PFT 25 FM

Bore Diameter	25 mm
d	25 mm
Da	60 mm
A1	2 mm
B1	31 mm
G	8 mm
H	95 mm
H1	– mm
J	76 mm
L	71 mm
N	8,7 mm
T	25,5 mm
A2	9 mm
Weight	0,29 Kg
Basic dynamic load rating (C)	14 kN
Basic static load rating (C0)	7,8 kN
Category	Bearings
Inventory	0.0
Manufacturer Name	SKF
Minimum Buy Quantity	N/A
Weight / Kilogram	0
Product Group	M06110
Housing material	Pressed steel
D _a min.	56 mm
A ₁	2 mm
A ₂	9 mm



NTN Bearing Rolamentos do Brasil Ltda.

B ₁	31 mm
B ₄	4.75 mm
s ₁	23.5 mm
Basic dynamic load rating C	14 kN
Basic static load rating C ₀	7.8 kN
Fatigue load limit P _u	0.335 kN
Limiting speed	7000 r/min
Mass bearing unit	0.29 kg
Thread grub screw G ₂	M6x0.75
Hexagonal key size for grub screw N	3 mm
Recommended tightening torque for grub screw	4 N · m
Recommended diameter for attachment bolts, mm G	8 mm
Recommended diameter for attachment bolts, inch G	0.3125 in
Housing	PFT 52
Bearing	YET 205