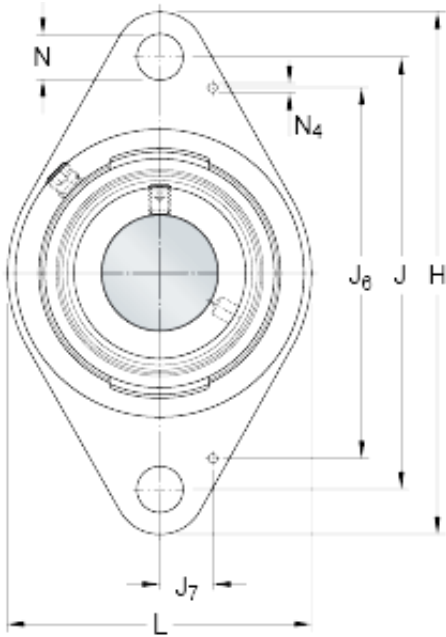




NTN Bearing Rolamentos do Brasil Ltda.



FYTB 35 WDW Bearing 2D drawings and 3D CAD models

skf FYTB 35 WDW Ball bearing oval flanged units

Bearing No. FYTB 35 WDW

Housing material	Cast iron
d	35 mm
D _a	88.9 mm
D _{b1}	88 mm
D _{b2}	96 mm
A	34.5 mm
A ₁	13 mm
A ₃	3.2 mm
A ₅	22 mm
B ₁	51.1 mm
B ₄	6.75 mm
J	130 mm
H	156 mm
L	96 mm
N	14 mm
s ₁	32.3 mm
T	53.3 mm
R _G	1/4-28 UNF
R ₁	22 mm
R	45 °
J ₆	106 mm
J ₇	15 mm
N ₄	2 mm
Basic dynamic load rating C	25.5 kN
Basic static load rating C ₀	15.3 kN



NTN Bearing Rolamentos do Brasil Ltda.

Fatigue load limit P_u	0.655 kN
Limiting speed	1100 r/min
Mass bearing unit	1.25 kg
Thread grub screw G_2	M10x1
Hexagonal key size for grub screw N	5 mm
Recommended tightening torque for grub screw	16.5 N · m
Recommended diameter for attachment bolts, mm G	12 mm
Recommended diameter for attachment bolts, inch G	0.5 in
Housing	FYTB 507 M/VZ033
Bearing	YELAG 207
End cover	ECY 207