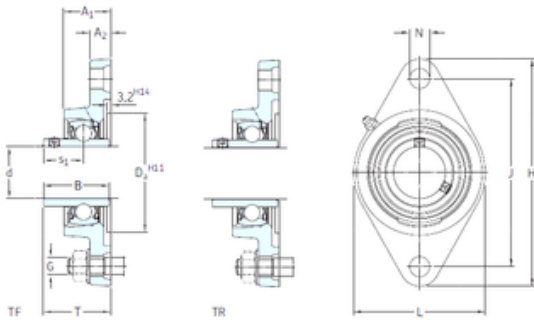




NTN Bearing Rolamentos do Brasil Ltda.

skf FYTB 20 TF Ball bearing oval flanged units



Bearing No. FYTB 20 TF

Bore Diameter	20 mm
d	20 mm
Da	50,8 mm
s1	18,3 mm
A1	29,5 mm
B	31 mm
G	10 mm
H	112 mm
J	90 mm
L	60,5 mm
N	11,5 mm
T	37,3 mm
A2	11 mm
Weight	0,5 Kg
Basic dynamic load rating (C)	12,7 kN
Basic static load rating (C0)	6,55 kN
Fatigue load limit (Pu)	0,28
Category	Flange Block Bearings
Inventory	0.0
Manufacturer Name	SKF
Minimum Buy Quantity	N/A
Weight / Kilogram	0.5
EAN	7316577032294
Product Group	M06110
Number of Mounting Holes	2
Mounting Method	Set Screw

FYTB 20 TF Bearing 2D drawings and 3D CAD models



NTN Bearing Rolamentos do Brasil Ltda.

Housing Style	2 Bolt Flange Block
Rolling Element	Ball Bearing
Housing Material	Cast Iron
Expansion / Non-expansion	Non-expansion
Mounting Bolts	10 Millimeter
Relubricatable	Yes
Insert Part Number	YAR 204-2F
Seals	M Seal
Housing Configuration	1 Piece Solid
Pilot Configuration	No Pilot
Inch - Metric	Metric
Long Description	2 Bolt Flange Block; 20MM Bore; 90MM Bolt Circle; 90MM Bolt Spacing; 1 Piece Solid; Set Screw Mount; Cast Iron; Ball Bearing; 31MM Length Thru Bore; Relubricatable; M Seal Seals
Other Features	Single Row Standard Duty Wide Inner Race Open End Has Flinger Y Bearing
Category	Flange Block
UNSPSC	31171501
Harmonized Tariff Code	8483.20.40.40
Noun	Bearing
Keyword String	Flanged
Manufacturer URL	http://www.skf.com
Manufacturer Item Number	FYTB 20 TF
Weight / LBS	1.1
Length Thru Bore	1.22 Inch 31 Millimeter
Bore	0.787 Inch 20 Millimeter
Cartridge Pilot Diameter	0 Inch 0 Millimeter
Nominal Bolt Circle Diameter Round	3.5 Inch 90 Millimeter



NTN Bearing Rolamentos do Brasil Ltda.

Bolt Spacing	3.543 Inch 90 Millimeter
Cartridge Pilot Depth	0 Inch 0 Millimeter
bore diameter:	20 mm
radial static load capacity:	6.55 kN
bolt center-to-center length:	90 mm
length through bore:	37.3 mm
overall length/diameter:	60.5 mm
finish/coating:	Uncoated
bore type:	Round
maximum rpm:	8500 RPM
mounting type:	Two-Bolt Flange
lubrication type:	Lubrication Fitting
housing material:	Cast Iron
series:	FYTB
locking device:	Set Screw
replacement bearing:	YAR 204-2F
expansion type:	Non-Expansion Bearing (Fixed)
manufacturer upc number:	7316577032294
radial dynamic load capacity:	12.7 kN
Housing material	Cast iron
D_a	50.8 mm
D_{b1}	58 mm
D_{b2}	60.5 mm
A	29.5 mm
A_1	11 mm
A_3	3.2 mm
A_5	18.5 mm
B_4	4.5 mm
s_1	18.3 mm
R_G	1/4-28 UNF
R_1	20 mm



NTN Bearing Rolamentos do Brasil Ltda.

R	45 °
D_N	6.5 mm
SW_N	7 mm
G_N	1/4-28 SAE-LT
J_6	74 mm
J_7	11.5 mm
N_4	2 mm
Basic dynamic load rating C	12.7 kN
Basic static load rating C_0	6.55 kN
Fatigue load limit P_u	0.28 kN
Limiting speed	8500 r/min
Mass bearing unit	0.43 kg
Thread grub screw G_2	M6x0.75
Hexagonal key size for grub screw N	3 mm
Recommended tightening torque for grub screw	4 N · m
Recommended diameter for attachment bolts, mm G	10 mm
Recommended diameter for attachment bolts, inch G	0.375 in
Housing	FYTB 504 M
Bearing	YAR 204-2F
End cover	ECY 204