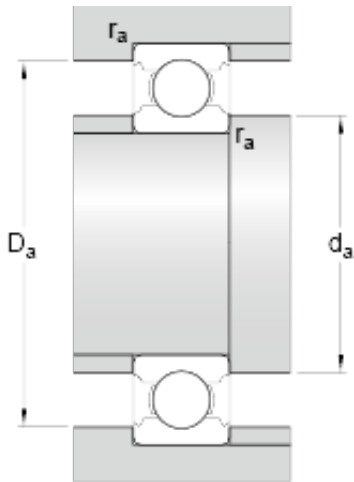




## NTN Bearing Rolamentos do Brasil Ltda.



W 634 Bearing 2D drawings and 3D CAD models

4 mm x 16 mm x 5 mm skf W 634 Deep groove ball bearings

Bearing No. W 634

d	4 mm
D	16 mm
B	5 mm
d <sub>2</sub>	6.7 mm
D <sub>2</sub>	13 mm
r <sub>1,2</sub> min.	0.3 mm
d <sub>a</sub> min.	6 mm
D <sub>a</sub> max.	14 mm
r <sub>a</sub> max.	0.3 mm
Basic dynamic load rating C	0.761 kN
Basic static load rating C <sub>0</sub>	0.265 kN
Fatigue load limit P <sub>u</sub>	0.011 kN
Reference speed	100000 r/min
Limiting speed	63000 r/min
Calculation factor k <sub>r</sub>	0.035
Calculation factor f <sub>0</sub>	6.8
Mass bearing	0.0048 kg