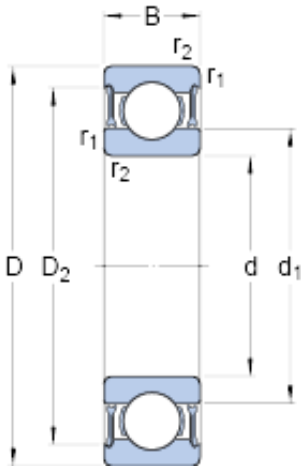




# NTN Bearing Rolamentos do Brasil Ltda.



35 mm x 47 mm x 7 mm skf W 61807-2RZ Deep groove ball bearings

Bearing No. W 61807-2RZ

W 61807-2RZ Bearing 2D drawings and 3D CAD models

Size	47x35x7 mm
Bore Diameter	47 mm
Outer Diameter	35 mm
Width	7 mm
d	35 mm
D	47 mm
B	7 mm
d <sub>1</sub>	38.21 mm
D <sub>2</sub>	43.69 mm
r <sub>1,2</sub> - min.	0.3 mm
D <sub>a</sub> - max.	45 mm
r <sub>a</sub> - max.	0.3 mm
Basic dynamic load rating - C	3.7 kN
Basic static load rating - C <sub>0</sub>	3.4 kN
Fatigue load limit - P <sub>u</sub>	0.14 kN
Reference speed	30000 r/min
Limiting speed	15000 r/min
Calculation factor - k <sub>r</sub>	0.02
Calculation factor - f <sub>0</sub>	14.3
d <sub>1</sub>	38.21 mm
D <sub>2</sub>	43.69 mm
r <sub>1,2</sub> min.	0.3 mm
d <sub>a</sub> min.	37 mm
d <sub>a</sub> max.	38 mm



## NTN Bearing Rolamentos do Brasil Ltda.

D <sub>a</sub> max.	45 mm
r <sub>a</sub> max.	0.3 mm
Basic dynamic load rating C	3.71 kN
Basic static load rating C <sub>0</sub>	3.35 kN
Fatigue load limit P <sub>u</sub>	0.14 kN
Calculation factor k <sub>r</sub>	0.02
Calculation factor f <sub>0</sub>	14.3
Mass bearing	0.03 kg