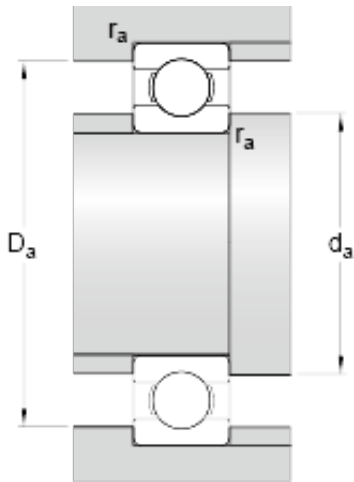




NTN Bearing Rolamentos do Brasil Ltda.



3 mm x 8 mm x 3 mm skf W 619/3 Deep groove ball bearings

Bearing No. W 619/3

d	3 mm
D	8 mm
B	3 mm
d ₁	4.35 mm
D ₁	6.65 mm
r _{1,2} min.	0.15 mm
d _a min.	3.9 mm
D _a max.	6.8 mm
r _a max.	0.15 mm
Basic dynamic load rating C	0.319 kN
Basic static load rating C ₀	0.09 kN
Fatigue load limit P _u	0.004 kN
Reference speed	150000 r/min
Limiting speed	95000 r/min
Calculation factor k _r	0.025
Calculation factor f ₀	6.1
Mass bearing	0.0006 kg

W 619/3 Bearing 2D drawings and 3D CAD models