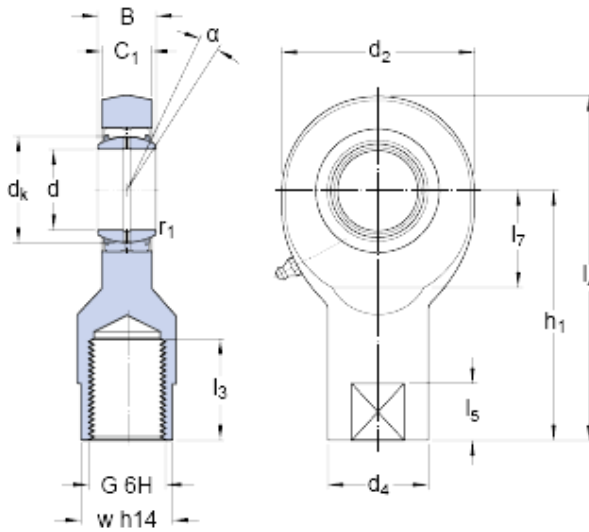




# NTN Bearing Rolamentos do Brasil Ltda.



skf SI 60 ESX-2LS Spherical plain bearings and rod ends with a female thread

Bearing No. SI 60 ESX-2LS

d	60 mm
d <sub>2</sub> max.	137 mm
B	44 mm
G	M 60x4
C <sub>1</sub> max.	39 mm
h <sub>1</sub>	225 mm
	6 °
d <sub>k</sub>	80 mm
d <sub>4</sub>	82 mm
l <sub>3</sub> min.	70 mm
l <sub>4</sub> max.	296 mm
l <sub>5</sub>	35 mm
l <sub>7</sub> min.	70 mm
w	70 mm
r <sub>1</sub> min.	1 mm
Basic dynamic load rating C	365 kN
Basic static load rating C <sub>0</sub>	400 kN
Specific dynamic load factor K	150 N/mm <sup>2</sup>
Material constant K <sub>M</sub>	330
Mass rod end	7.1 kg

SI 60 ESX-2LS Bearing 2D drawings and 3D CAD models