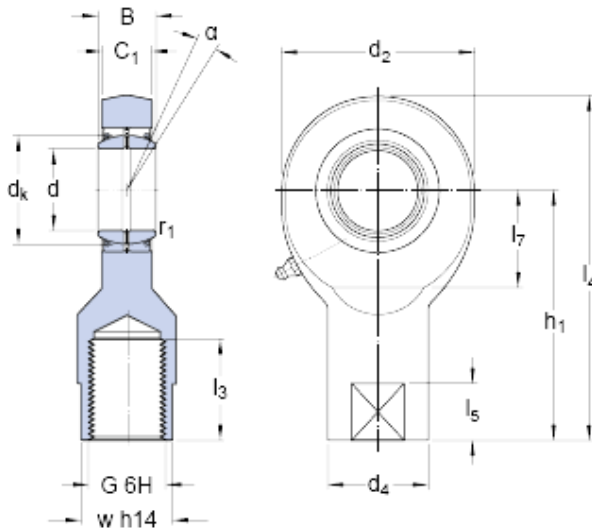




NTN Bearing Rolamentos do Brasil Ltda.



skf SIA 70 ES-2RS Spherical plain bearings and rod ends with a female thread

Bearing No. SIA 70 ES-2RS

d	70 mm
d ₂ max.	162 mm
B	49 mm
G	M 56x4
C ₁ max.	43 mm
h ₁	200 mm
	6 °
d _k	92 mm
d ₄	92 mm
l ₃ min.	80 mm
l ₄ max.	284 mm
l ₅	40 mm
l ₇ min.	80 mm
w	80 mm
r ₁ min.	1 mm
Basic dynamic load rating C	315 kN
Basic static load rating C ₀	530 kN
Specific dynamic load factor K	100 N/mm ²
Material constant K _M	330
Mass rod end	9.5 kg

SIA 70 ES-2RS Bearing 2D drawings and 3D CAD models