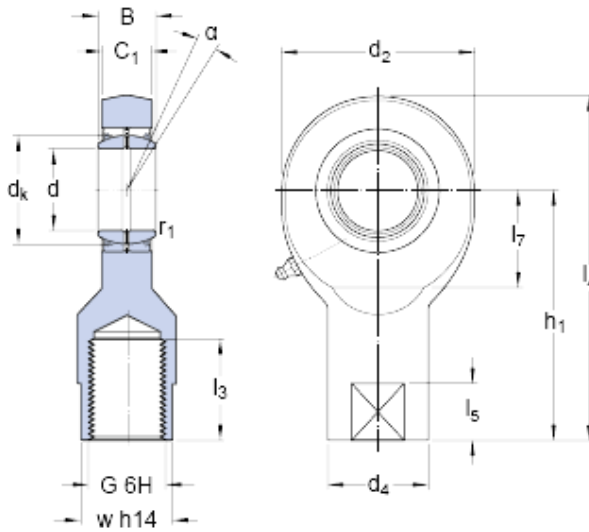




NTN Bearing Rolamentos do Brasil Ltda.



skf SIA 80 ES-2LS Spherical plain bearings and rod ends with a female thread

Bearing No. SIA 80 ES-2LS

d	80 mm
d ₂ max.	182 mm
B	55 mm
G	M 64x4
C ₁ max.	48 mm
h ₁	230 mm
	5 °
d _k	105 mm
d ₄	105 mm
l ₃ min.	85 mm
l ₄ max.	324 mm
l ₅	45 mm
l ₇ min.	90 mm
w	90 mm
r ₁ min.	1 mm
Basic dynamic load rating C	400 kN
Basic static load rating C ₀	655 kN
Specific dynamic load factor K	100 N/mm ²
Material constant K _M	330
Mass rod end	15 kg

SIA 80 ES-2LS Bearing 2D drawings and 3D CAD models