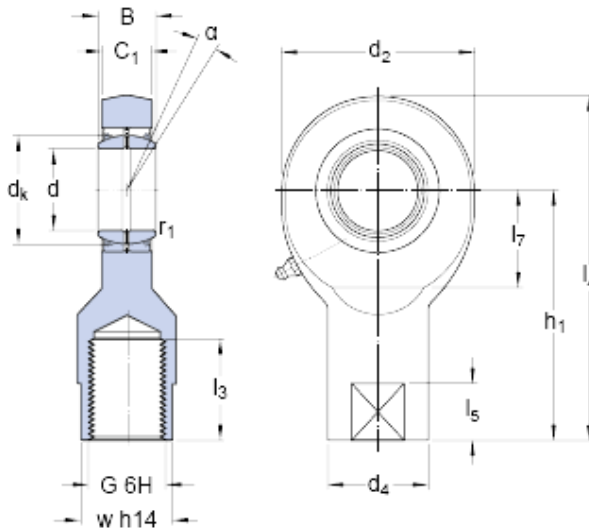




NTN Bearing Rolamentos do Brasil Ltda.



skf SI 45 ES-2LS Spherical plain bearings and rod ends with a female thread

Bearing No. SI 45 ES-2LS

d	45 mm
d ₂ max.	104 mm
B	32 mm
G	M 45x3
C ₁ max.	28 mm
h ₁	165 mm
	7 °
d _k	60 mm
d ₄	65 mm
l ₃ min.	65 mm
l ₄ max.	219 mm
l ₅	30 mm
l ₇ min.	55 mm
w	55 mm
r ₁ min.	0.6 mm
Basic dynamic load rating C	127 kN
Basic static load rating C ₀	224 kN
Specific dynamic load factor K	100 N/mm ²
Material constant K _M	330
Mass rod end	3.2 kg

SI 45 ES-2LS Bearing 2D drawings and 3D CAD models