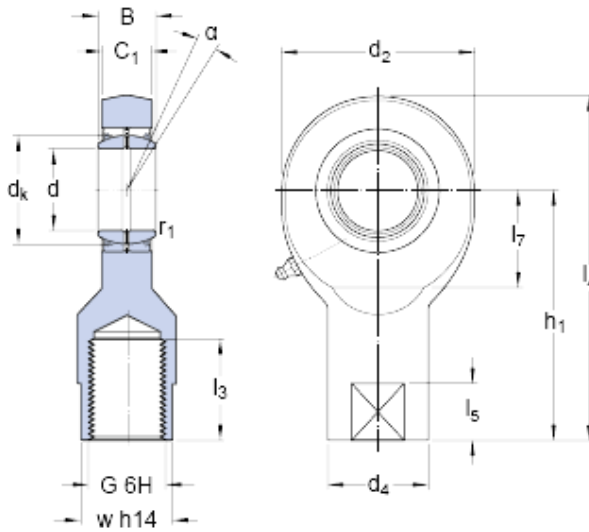




# NTN Bearing Rolamentos do Brasil Ltda.



skf SI 30 ES-2LS Spherical plain bearings and rod ends with a female thread

Bearing No. SI 30 ES-2LS

d	30 mm
d <sub>2</sub> max.	75 mm
B	22 mm
G	M 30x2
C <sub>1</sub> max.	20 mm
h <sub>1</sub>	110 mm
	6 °
d <sub>k</sub>	40.7 mm
d <sub>4</sub>	42 mm
l <sub>3</sub> min.	45 mm
l <sub>4</sub> max.	149 mm
l <sub>5</sub>	19 mm
l <sub>7</sub> min.	36 mm
w	36 mm
r <sub>1</sub> min.	0.6 mm
Basic dynamic load rating C	62 kN
Basic static load rating C <sub>0</sub>	116 kN
Specific dynamic load factor K	100 N/mm <sup>2</sup>
Material constant K <sub>M</sub>	330
Mass rod end	1 kg

SI 30 ES-2LS Bearing 2D drawings and 3D CAD models