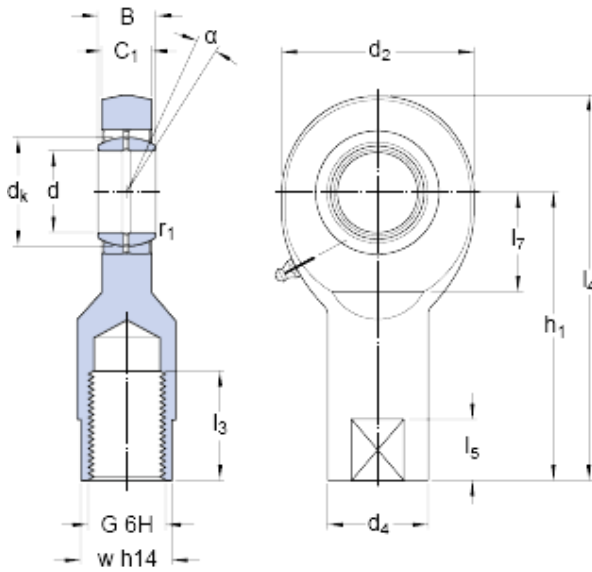




NTN Bearing Rolamentos do Brasil Ltda.



skf SIL 40 ES Spherical plain bearings and rod ends with a female thread

Bearing No. SIL 40 ES

d	40 mm
d ₂ max.	94 mm
B	28 mm
G	M 42x3
C ₁ max.	24 mm
h ₁	145 mm
	7 °
d _k	53 mm
d ₄	58 mm
l ₃ min.	65 mm
l ₄ max.	194 mm
l ₅	25 mm
l ₇ min.	50 mm
w	50 mm
r ₁ min.	0.6 mm
Basic dynamic load rating C	100 kN
Basic static load rating C ₀	166 kN
Specific dynamic load factor K	100 N/mm ²
Material constant K _M	330
Mass rod end	2.2 kg

SIL 40 ES Bearing 2D drawings and 3D CAD models