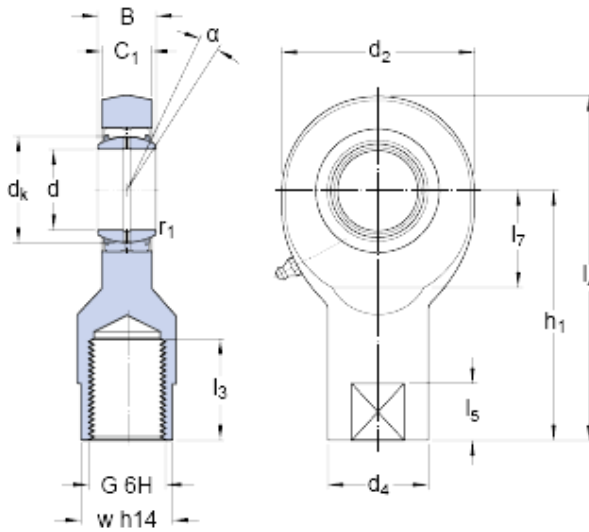




NTN Bearing Rolamentos do Brasil Ltda.



skf SIL 25 ESX-2LS Spherical plain bearings and rod ends with a female thread

Bearing No. SIL 25 ESX-2LS

d	25 mm
d ₂ max.	65 mm
B	20 mm
G	M 24x2
C ₁ max.	18 mm
h ₁	94 mm
	7 °
d _k	35.5 mm
d ₄	35 mm
l ₃ min.	36 mm
l ₄ max.	128 mm
l ₅	18 mm
l ₇ min.	30 mm
w	30 mm
r ₁ min.	0.6 mm
Basic dynamic load rating C	72 kN
Basic static load rating C ₀	90 kN
Specific dynamic load factor K	150 N/mm ²
Material constant K _M	330
Mass rod end	0.65 kg

SIL 25 ESX-2LS Bearing 2D drawings and 3D CAD models