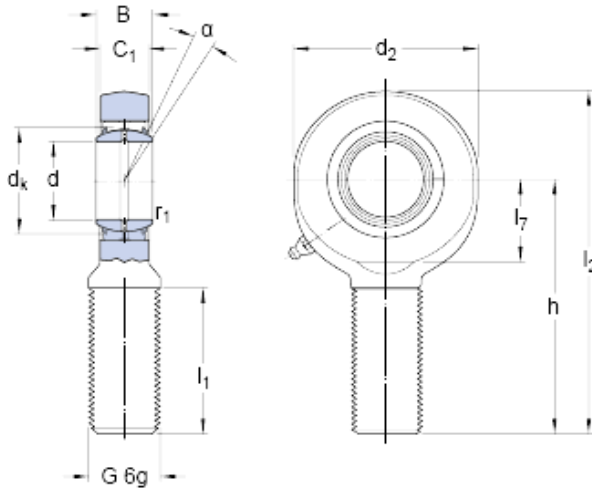




# NTN Bearing Rolamentos do Brasil Ltda.



skf SAL 50 ESX-2LS Spherical plain bearings and rod ends with a male thread

Bearing No. SAL 50 ESX-2LS

d	50 mm
d <sub>2</sub> max.	114 mm
B	35 mm
G	M 52x3
C <sub>1</sub> max.	31 mm
h	195 mm
	6 °
d <sub>k</sub>	66 mm
l <sub>1</sub> min.	110 mm
l <sub>2</sub> max.	254 mm
l <sub>7</sub> min.	58 mm
r <sub>1</sub> min.	0.6 mm
Basic dynamic load rating C	236 kN
Basic static load rating C <sub>0</sub>	245 kN
Specific dynamic load factor K	150 N/mm <sup>2</sup>
Material constant K <sub>M</sub>	330
Mass rod end	3.9 kg

SAL 50 ESX-2LS Bearing 2D drawings and 3D CAD models