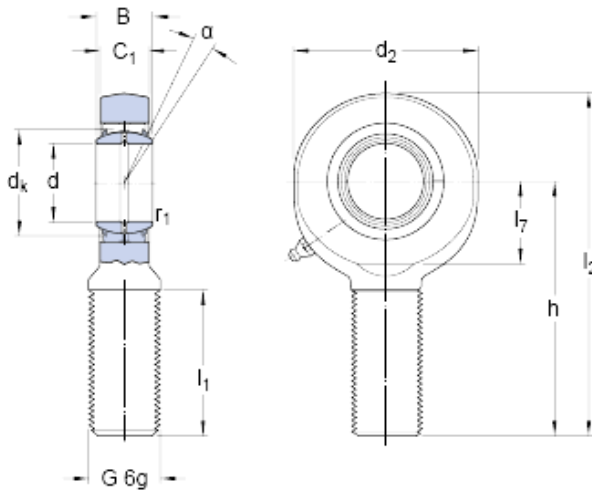




NTN Bearing Rolamentos do Brasil Ltda.



skf SALA 45 ESX-2LS Spherical plain bearings and rod ends with a male thread

Bearing No. SALA 45 ESX-2LS

d	45 mm
d ₂ max.	104 mm
B	32 mm
G	M 42x3
C ₁ max.	28 mm
h	163 mm
	7 °
d _k	60 mm
l ₁ min.	92 mm
l ₂ max.	217 mm
l ₇ min.	50 mm
r ₁ min.	0.6 mm
Basic dynamic load rating C	190 kN
Basic static load rating C ₀	200 kN
Specific dynamic load factor K	150 N/mm ²
Material constant K _M	330
Mass rod end	2.45 kg

SALA 45 ESX-2LS Bearing 2D drawings and 3D CAD models