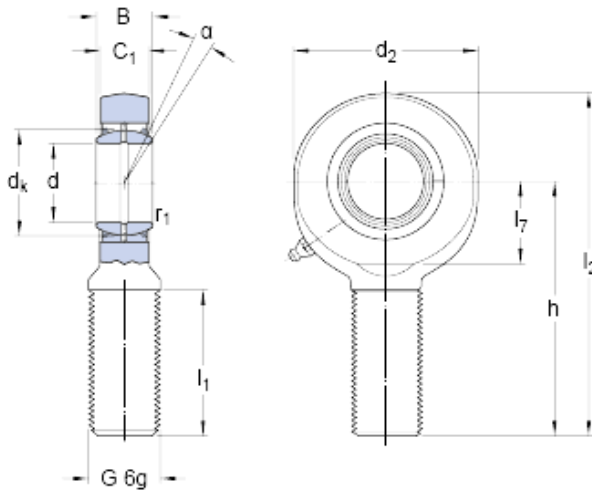




# NTN Bearing Rolamentos do Brasil Ltda.



skf SAA 40 ESL-2LS Spherical plain bearings and rod ends with a male thread

Bearing No. SAA 40 ESL-2LS

|   |                       |
|---|-----------------------|
| d                                       | 40 mm                 |
| d <sub>2</sub> max.                     | 94 mm                 |
| B                                       | 28 mm                 |
| G                                       | M 39x3                |
| C <sub>1</sub> max.                     | 24 mm                 |
| h                                       | 150 mm                |
|   | 6 °                   |
| d <sub>k</sub>                          | 53 mm                 |
| l <sub>1</sub> min.                     | 86 mm                 |
| l <sub>2</sub> max.                     | 199 mm                |
| l <sub>7</sub> min.                     | 46 mm                 |
| r <sub>1</sub> min.                     | 0.6 mm                |
| Basic dynamic load rating C             | 100 kN                |
| Basic static load rating C <sub>0</sub> | 140 kN                |
| Specific dynamic load factor K          | 100 N/mm <sup>2</sup> |
| Material constant K <sub>M</sub>        | 330                   |
| Mass rod end                            | 1.85 kg               |

SAA 40 ESL-2LS Bearing 2D drawings and 3D CAD models