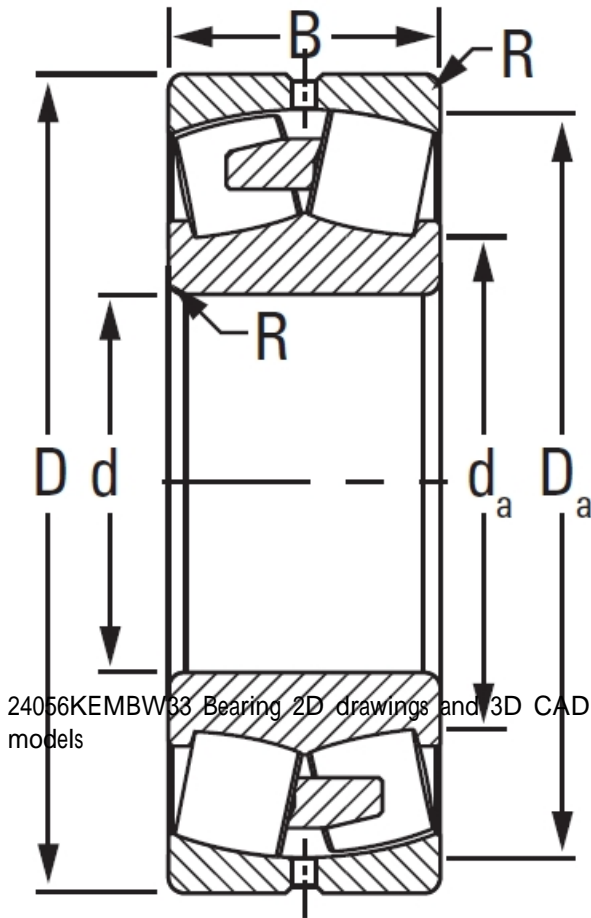




# NTN Bearing Rolamentos do Brasil Ltda.

## timken 24056KEMBW33 Spherical Roller Bearings/Brass Cage

Bearing No. 24056KEMBW33



24056KEMBW33 Bearing 2D drawings and 3D CAD models

Design Unit	METRIC
Bore Taper	1/30
Bearing Weight	68 Kg
Cage Type	EMB
UPC Code	087796032798
Cage Material	Brass
Superseded Part	24056KYMBW33
d	280.000 mm
D	420 mm
B - Inner Ring Width	140 mm
B - Outer Ring Width	140.000 mm
R - Inner Ring To Clear Radius <sup>1</sup>	3.0 mm
r - Outer Ring To Clear Radius <sup>2</sup>	3.0 mm
da - Inner Ring Backing Diameter	307.000 mm
Da - Outer Ring Backing Diameter	388.000 mm
C0 - Static Radial Rating	4090000 N
C1(2) - Dynamic Radial Rating (Two-Rows)	2420000 N
e - ISO Factor <sup>3</sup>	0.3
Y0 - ISO Factor <sup>4</sup>	2.25
Y1 - ISO Factor <sup>5</sup>	3.35
Y2 - ISO Factor <sup>6</sup>	2.2
Reference Thermal Speed	760



## NTN Bearing Rolamentos do Brasil Ltda.

Rating (Grease)	
Reference Thermal Speed Rating (Oil) <sup>7</sup>	860
Cg - Geometry Factor <sup>8</sup>	0.1173