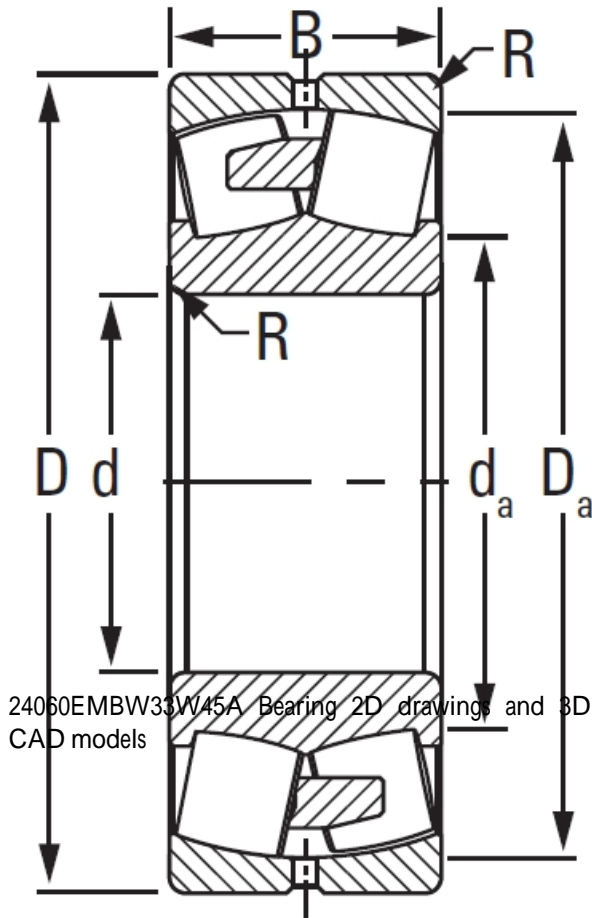




# NTN Bearing Rolamentos do Brasil Ltda.

## timken 24060EMBW33W45A Spherical Roller Bearings/Brass Cage

Bearing No. 24060EMBW33W45A



24060EMBW33W45A Bearing 2D drawings and 3D CAD models

|   |                 |
|---|-----------------|
| Design Unit                                 | METRIC          |
| Bearing Weight                              | 97.400 Kg       |
| Cage Type                                   | EMB             |
| UPC Code                                    | 087796032804    |
| Cage Material                               | Brass           |
| Superseded Part                             | 24060YMBW33W45A |
| d   | 300.000 mm      |
| D   | 460.000 mm      |
| B - Inner Ring Width                        | 160 mm          |
| B - Outer Ring Width                        | 160.000 mm      |
| R - Inner Ring To Clear Radius <sup>1</sup> | 3.0 mm          |
| r - Outer Ring To Clear Radius <sup>2</sup> | 3.0 mm          |
| da - Inner Ring Backing Diameter            | 331.000 mm      |
| Da - Outer Ring Backing Diameter            | 423.000 mm      |
| C0 - Static Radial Rating                   | 5190000 N       |
| C1(2) - Dynamic Radial Rating (Two-Rows)    | 3070000 N       |
| e - ISO Factor <sup>3</sup>                 | 0.32            |
| Y0 - ISO Factor <sup>4</sup>                | 2.11            |
| Y1 - ISO Factor <sup>5</sup>                | 3.13            |
| Y2 - ISO Factor <sup>6</sup>                | 2.06            |
| Reference Thermal Speed Rating (Grease)     | 670             |
|   |                 |



## NTN Bearing Rolamentos do Brasil Ltda.

|   |        |
|---|--------|
| Reference Thermal Speed Rating (Oil) <sup>7</sup> | 750    |
| Cg - Geometry Factor <sup>8</sup>                 | 0.1233 |