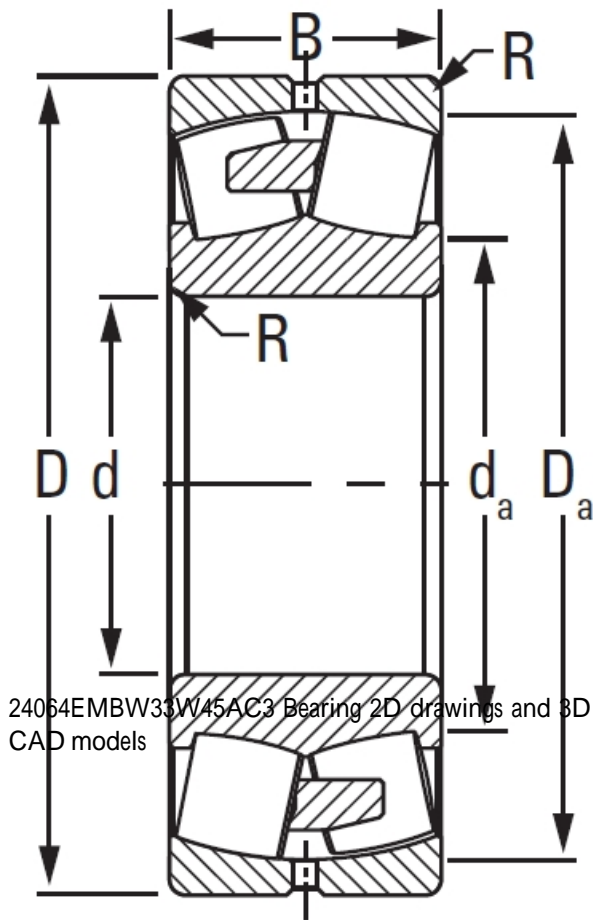




NTN Bearing Rolamentos do Brasil Ltda.

timken 24064EMBW33W45AC3 Spherical Roller Bearings/Brass Cage

Bearing No. 24064EMBW33W45AC3



24064EMBW33W45AC3 Bearing 2D drawings and 3D CAD models

Design Unit	METRIC
Bearing Weight	102.000 Kg
Cage Type	EMB
UPC Code	087796032828
Cage Material	Brass
Superseded Part	24064YMBW33W45AC3
d	320.000 mm
D	480.000 mm
B - Inner Ring Width	160 mm
B - Outer Ring Width	160.000 mm
R - Inner Ring To Clear Radius ¹	3.0 mm
r - Outer Ring To Clear Radius ²	3.0 mm
da - Inner Ring Backing Diameter	351.000 mm
Da - Outer Ring Backing Diameter	444.000 mm
C0 - Static Radial Rating	5380000 N
C1(2) - Dynamic Radial Rating (Two-Rows)	3130000 N
e - ISO Factor ³	0.3
Y0 - ISO Factor ⁴	2.24
Y1 - ISO Factor ⁵	3.34
Y2 - ISO Factor ⁶	2.19
Reference Thermal Speed Rating (Grease)	630



NTN Bearing Rolamentos do Brasil Ltda.

Reference Thermal Speed Rating (Oil) ⁷	710
Cg - Geometry Factor ⁸	0.1277