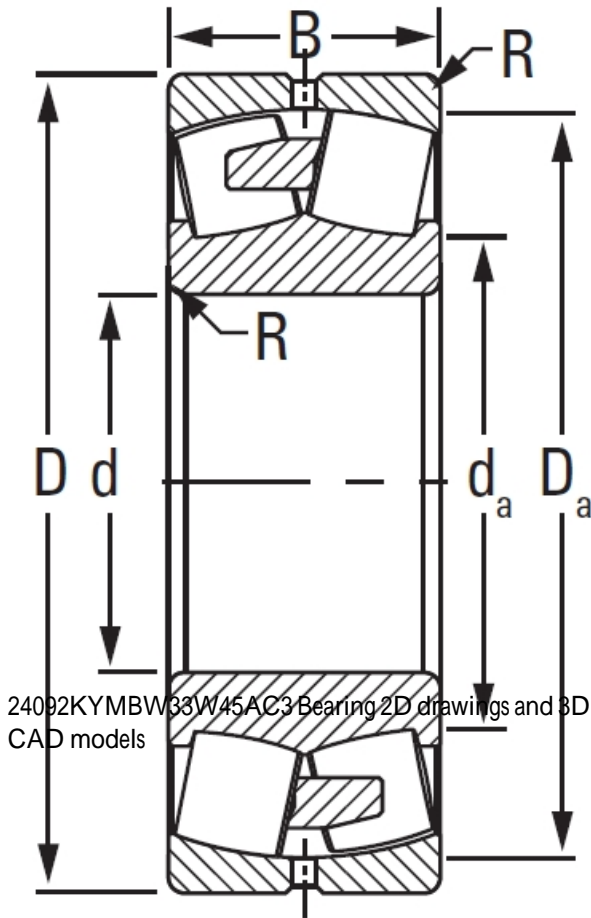




NTN Bearing Rolamentos do Brasil Ltda.

timken 24092KYMBW33W45AC3 Spherical Roller Bearings/Brass Cage

Bearing No. 24092KYMBW33W45AC3



24092KYMBW33W45AC3 Bearing 2D drawings and 3D CAD models

Design Unit	METRIC
Bore Taper	1/30
Bearing Weight	270.800 Kg
Cage Type	YMB
Cage Material	Brass
d	460.000 mm
D	680.000 mm
B - Inner Ring Width	218 mm
B - Outer Ring Width	218.000 mm
R - Inner Ring To Clear Radius ¹	5.000 mm
r - Outer Ring To Clear Radius ²	5.000 mm
da - Inner Ring Backing Diameter	507.000 mm
Da - Outer Ring Backing Diameter	631.000 mm
C0 - Static Radial Rating	10300000 N
C1(2) - Dynamic Radial Rating (Two-Rows)	5210000 N
e - ISO Factor ³	0.28
Y0 - ISO Factor ⁴	2.37
Y1 - ISO Factor ⁵	3.53
Y2 - ISO Factor ⁶	2.32
Reference Thermal Speed Rating (Grease)	390
Reference Thermal Speed Rating (Oil) ⁷	430



NTN Bearing Rolamentos do Brasil Ltda.

Cg - Geometry Factor ⁸	0.0991
-----------------------------------	--------