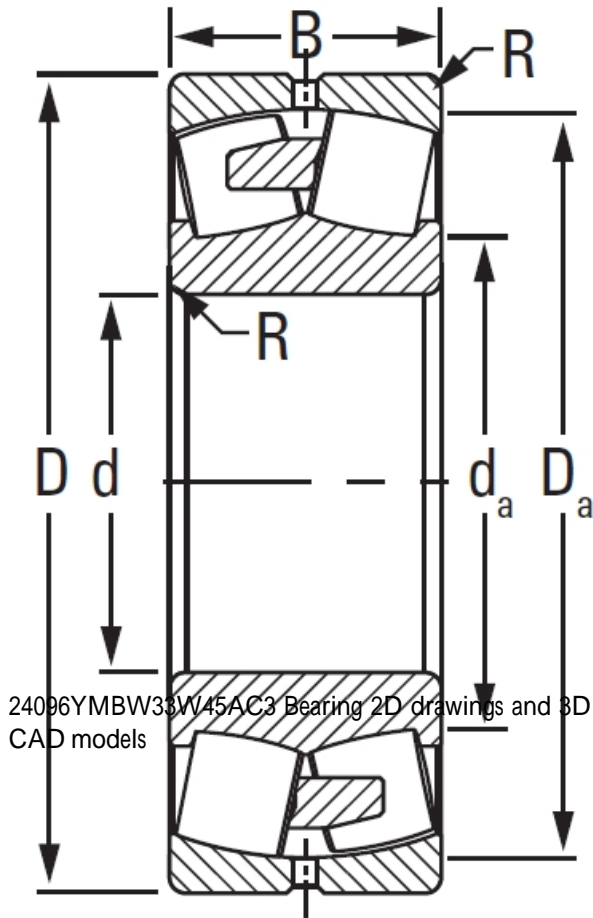




# NTN Bearing Rolamentos do Brasil Ltda.

## timken 24096YMBW33W45AC3 Spherical Roller Bearings/Brass Cage

Bearing No. 24096YMBW33W45AC3



24096YMBW33W45AC3 Bearing 2D drawings and 3D CAD models

Design Unit	METRIC
Bearing Weight	282.100 Kg
Cage Type	YMB
Cage Material	Brass
d	480.000 mm
D	700.000 mm
B - Inner Ring Width	218 mm
B - Outer Ring Width	218.000 mm
R - Inner Ring To Clear Radius <sup>1</sup>	5.000 mm
r - Outer Ring To Clear Radius <sup>2</sup>	5.000 mm
da - Inner Ring Backing Diameter	526.000 mm
Da - Outer Ring Backing Diameter	652.000 mm
C0 - Static Radial Rating	10900000 N
C1(2) - Dynamic Radial Rating (Two-Rows)	5450000 N
e - ISO Factor <sup>3</sup>	0.28
Y0 - ISO Factor <sup>4</sup>	2.45
Y1 - ISO Factor <sup>5</sup>	3.64
Y2 - ISO Factor <sup>6</sup>	2.39
Reference Thermal Speed Rating (Grease)	370
Reference Thermal Speed Rating (Oil) <sup>7</sup>	410
Cg - Geometry Factor <sup>8</sup>	0.1012



**NTN Bearing Rolamentos do Brasil Ltda.**