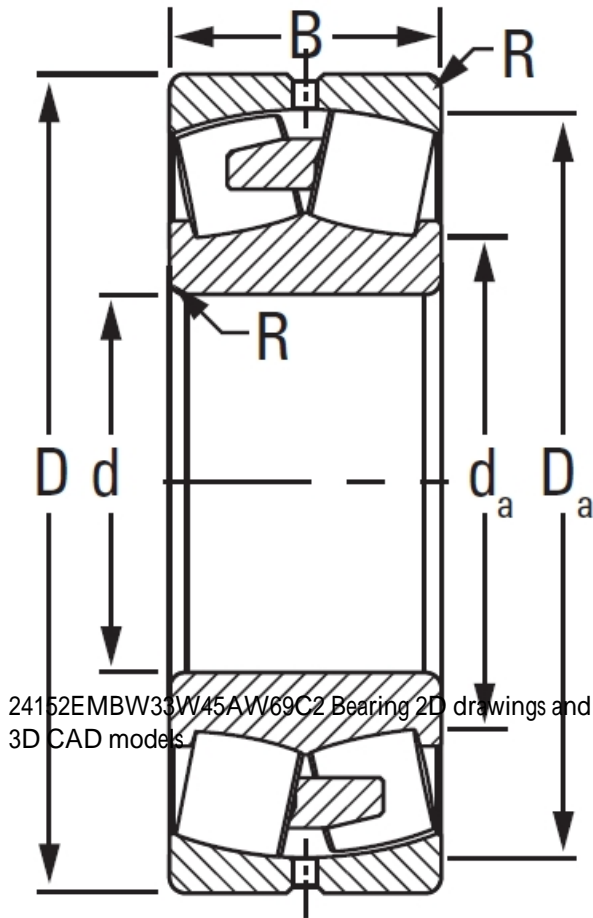




NTN Bearing Rolamentos do Brasil Ltda.

timken 24152EMBW33W45AW69C2 Spherical Roller Bearings/Brass Cage

Bearing No. 24152EMBW33W45AW69C2



24152EMBW33W45AW69C2 Bearing 2D drawings and 3D CAD models

Design Unit	METRIC
Bearing Weight	111.400 Kg
Cage Type	EMB
Cage Material	Brass
Superseded Part	24152YMBW33W45AW69C2
d	260 mm
D	440 mm
B - Inner Ring Width	180 mm
B - Outer Ring Width	180.000 mm
R - Inner Ring To Clear Radius ¹	3.0 mm
r - Outer Ring To Clear Radius ²	3.0 mm
da - Inner Ring Backing Diameter	294.000 mm
Da - Outer Ring Backing Diameter	398.000 mm
C0 - Static Radial Rating	4800000 N
C1(2) - Dynamic Radial Rating (Two-Rows)	3160000 N
e - ISO Factor ³	0.37
Y0 - ISO Factor ⁴	1.82
Y1 - ISO Factor ⁵	2.7
Y2 - ISO Factor ⁶	1.78
Reference Thermal Speed Rating (Grease)	540
Reference Thermal Speed	580



NTN Bearing Rolamentos do Brasil Ltda.

Rating (Oil) ⁷	
Cg - Geometry Factor ⁸	0.115